

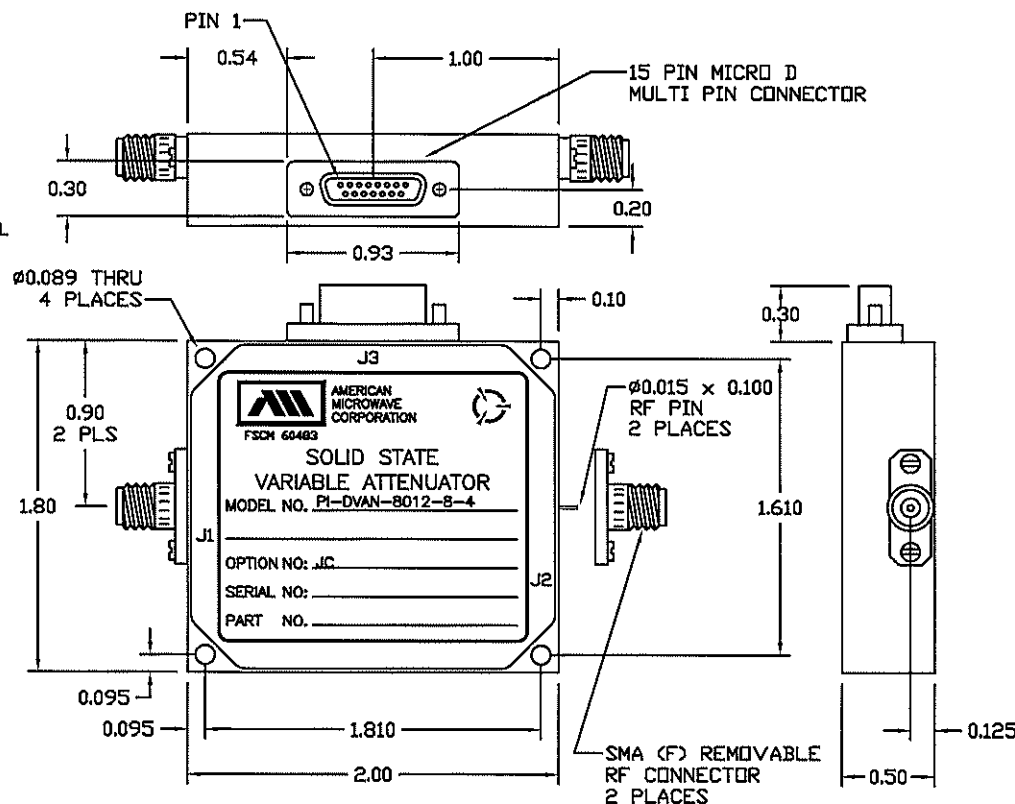
DESCRIPTION:

AMC MODEL PI-DVAN-8012-8-4 IS A HIGH SPEED, LOW INSERTION LOSS, 8 BIT DIGITALLY VARIABLE 60 dB, SOLID STATE OCTAVE BAND ATTENUATOR THAT OPERATES OVER THE 8 GHz TO 12 GHz RANGE.

SPECIFICATIONS:

- FREQUENCY: 8 GHz TO 12 GHz
- RANGE/RESOLUTION: 60 dB / 0.25 dB
- INSERTION LOSS: 4.5 dB MAX., 3.5 dB TYPICAL
- DIGITAL CONTROL: 8 BIT TTL
- SWITCHING SPEED: 300 ns MAXIMUM
- MAXIMUM POWER: +27 dBm , (OPERATING + 10 dBm) (NO DAMAGE)
- OTO: -36 dBm MINIMUM
- BIAS VOLTAGE: +12V @ 200 mA MAXIMUM., 150 mA TYPICAL
-5V @ 100 mA MAXIMUM., 75 mA TYPICAL
- PHASE VARIATION/SHIFT:
 - 0 TO 20 dB ±5° (GOAL ±4°)
 - 0 TO 40 dB ±10° (GOAL ±8°)
 - 0 TO 60 dB ±20° (GOAL ±15°)
- TEMPERATURE: 0°C TO 70°C
- RF CONNECTORS: SMA FEMALE
- BIAS VOLTAGE AND CONTROL: 15 PIN MULTIPIN CONNECTOR
- SIZE: 2.00 (L) x 1.80 (W) x 0.50 (H)
- WEIGHT: ≤ 4 OUNCES

REVISIONS				
ZONE	REV.	DESCRIPTION	DATE	APPROVED
	-	ORIGINAL RELEASE	8/27/07	



J3 PIN FUNCTION			
PIN	FUNCTION		
1	N/C	9	4dB
2	N/C OR LATCHING STROBE INPUT	10	8dB
3	N/C	11	16dB
4	GND	12	32dB (MSB)
5	0.25dB (LSB)	13	+12V TO +15V
6	0.5dB	14	-12V TO -15V
7	1dB	15	N/C
8	2dB		

CONFIDENTIAL AND PROPRIETARY

ENVIRONMENTAL RATINGS:

- TEMPERATURE: 0°C TO +70°C (OPERATING)
-65°C TO +125°C (STORAGE)
- HUMIDITY: MIL-STD-202F, METHOD 103B COND. B
- SHOCK: MIL-STD-202F, METHOD 213B COND. B
- VIBRATION: MIL-STD-202F, METHOD 204D COND. B
- ALTITUDE: MIL-STD-202F, METHOD 105C COND. B
- TEMPERATURE CYCLE: . . . MIL-STD-202F, METHOD 107D COND. A

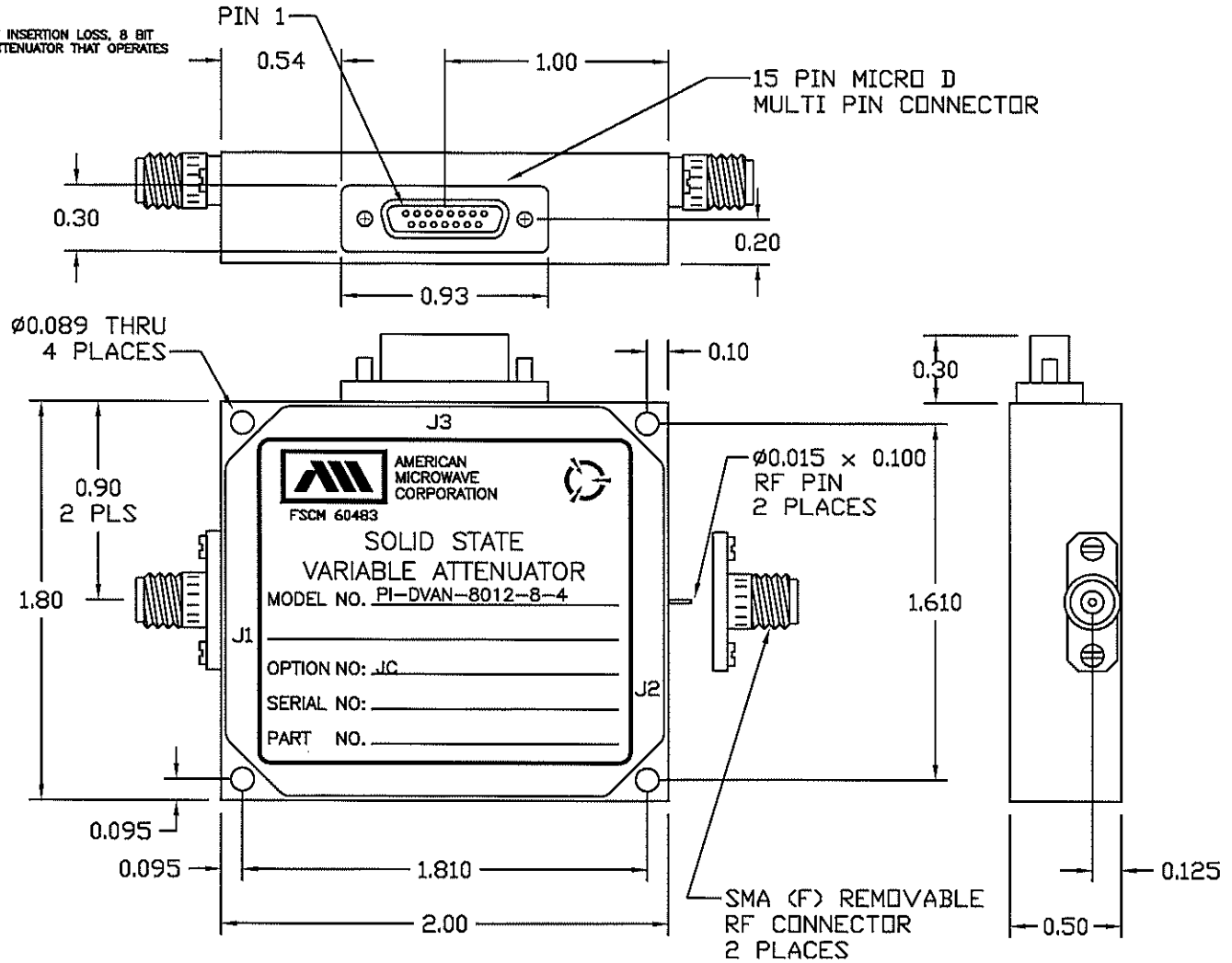
ALL DIMENSIONS ARE IN INCHES
TOLERANCES:
X.XX ±0.020
X.XXX ±0.010

CONTRACT NO.		AMERICAN MICROWAVE CORPORATION FREDERICK, MARYLAND
APPROVALS	DATE	
DRAWN <i>K.M.S.</i> 8/27/07 CHECKED <i>PA</i> 8/28/07		TITLE PRODUCT FEATURE PI-DVAN-8012-8-4 SOLID STATE ATTENUATOR
ISSUED		SIZE FSCH NO. DWG NO. REV. A 60483 100-5736-2 -
SCALE N/S		SHEET 1 of 3


NOTE: THE ABOVE SPECIFICATIONS ARE SUBJECT TO CHANGE OR REVISION

DESCRIPTION:

AMC MODEL PI-DVAN-8012-8-4 IS A HIGH SPEED, LOW INSERTION LOSS, 8 BIT DIGITALLY VARIABLE 60 dB, SOLID STATE OCTAVE BAND ATTENUATOR THAT OPERATES OVER THE 8 GHz TO 12 GHz RANGE.



CONFIDENTIAL AND PROPRIETARY

			
AMERICAN MICROWAVE CORPORATION FREDERICK, MARYLAND			
TITLE OUTLINE DRAWING PI-DVAN-8012-8-4 SOLID STATE ATTENUATOR			
SIZE A	FSCM NO. 60483	DWG NO. 100-5736	REV. --
SCALE N/S		SHEET 2 of 3	